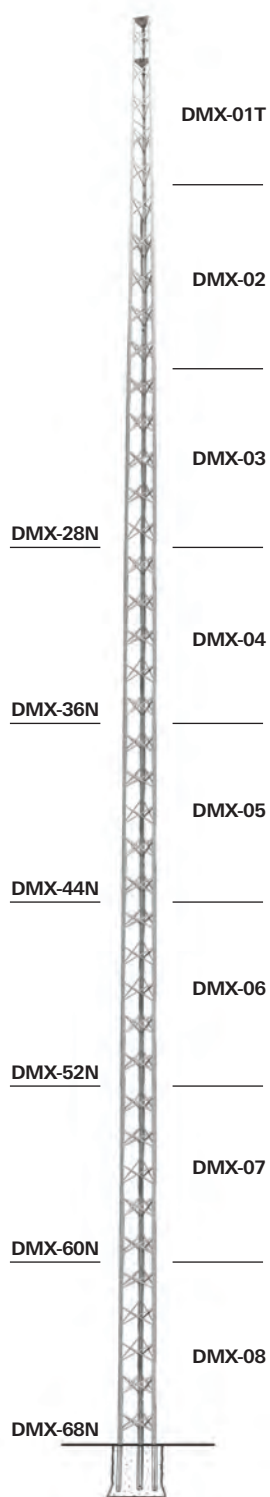


DELHI TOWERS

DMX Standard, Medium and Heavy Duty Towers



Features

- Attractive *tapered* design.
- "X" brace with beaded channel leg.
- Enhancements made to both leg profile and taper allow for easier installation and improved tower structure
- High strength galvanized steel construction.
- Eight foot sections.
- Compact shipping package.
- Free standing installation.
- Ideal for amateur radio and industrial/commercial communications applications.
- Climb shields recommended.

Standard Tower Packages

DMX towers are packaged complete with CBS concrete base stubs, DM mast, top plate, rotor plate, TMCA clamp assembly and all necessary hardware. Height includes mast.

Medium and Heavy Duty Tower Packages

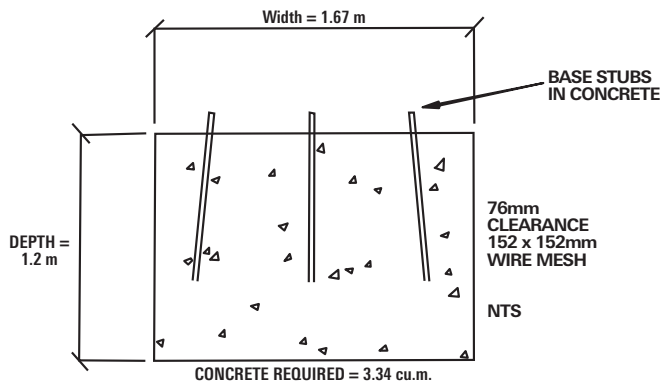
DMXMD and DMXHD towers are packaged complete with CBS concrete base stubs, top plate, rotor plate, 2 model 244A cast aluminum mast clamps and all necessary hardware. Mast not included.

Tower Models

DMX-28N	28'	(8.53 m)	DMXMD-32N	32'	(9.75 m)
DMX-36N	36'	(10.97 m)	DMXMD-40N	40'	(12.19 m)
DMX-44N	44'	(13.41 m)	DMXMD-48N	48'	(14.63 m)
DMX-52N	52'	(15.85 m)	DMXMD-56N	56'	(17.07 m)
DMX-60N	60'	(18.29 m)	DMXHD-32N	32'	(9.75 m)
DMX-68N	68'	(20.73 m)	DMXHD-40N	40'	(12.19 m)
			DMXHD-48N	48'	(14.63 m)

Minimum Concrete Requirements

- New concrete foundation based on current standards. Contact us for more details.



WADE ANTENNA'S ONGOING POLICY OF CONTINUING DEVELOPMENT MAY RESULT IN SPECIFICATION CHANGES TO ITS PRODUCTS

DELHI TOWERS

DMX Tower Load Limits

Load Limits

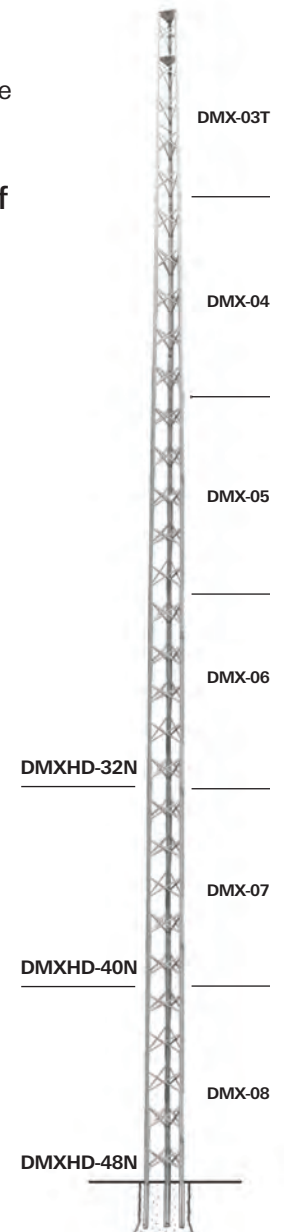
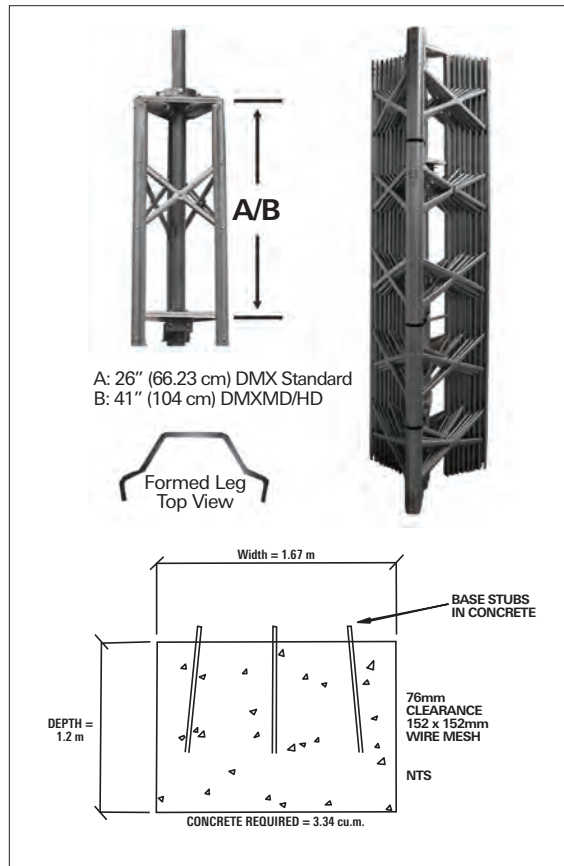
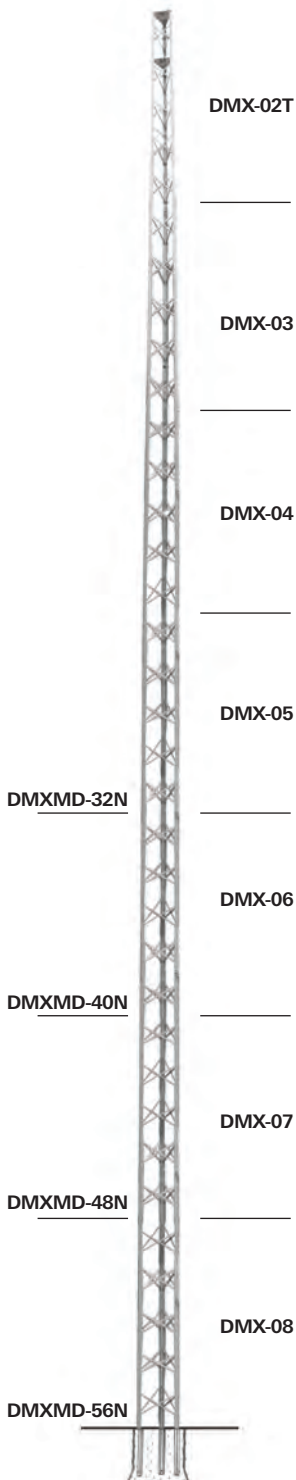
DMX Standard Duty Towers are designed to support up to 3 square feet (0.28 m²) projected wind area.

DMXMD Medium Duty Towers are designed to support up to 6 square feet (0.56 m²) projected wind area.

DMXHD Heavy Duty Towers are designed to support up to 9 square feet (0.84 m²) projected wind area.

Caution: Guy wires must be used for larger loads or if straight sections are added for extra height.

Note: For tower accessories or parts that may be ordered separately, please refer to DMX parts and accessories



WADE ANTENNA'S ONGOING POLICY OF CONTINUING DEVELOPMENT MAY RESULT IN SPECIFICATION CHANGES TO ITS PRODUCTS

DELHI TOWERS

DMX Tower Parts

★ OUR NEW DMX TOWERS HAVE BEEN **ENHANCED** IN BOTH LEG PROFILE AND TAPER. THIS FACILITATES IN AN EASIER INSTALLATION AND IMPROVED TOWER STRUCTURE.

BBMB Cast aluminum ball bearing. Mast bearing accepts up to 2" (5.08 cm) masts.

HUB 3-6 Optional hinge-up base. Threaded rod allows vertical adjustments. Fits DMX-03 to DMX-06 sections.

HUB 7-8 As above but fits DMX-07 and DMX-08 sections.

244A Cast aluminum mast clamp for up to 2 1/2" (6.35 cm) masts.

TMCA Replacement mast clamp assemblies with sleeve bearing.

DM Mast 1 1/2" (3.81 cm) 16 ga. x 8' (2.44 m) mast as supplied in DMX and DMXB.

GS123 Guy station fits DMX-01T to DMX-03 sections.

GS456 Guy station fits DMX-04 to DMX-06 sections.

DMXHB Universal house bracket included with DMXB series but designed to fit all DMX sections. 1" (2.54cm) x 30" (76.2cm) arms.

BP2S Heavy gauge base plate fits DMX-02 or DMX-02S sections

Base Stubs Set of three 4' (1.22 m) long, as shown below.

CBS-03 Fits DMX-03

CBS-04 Fits DMX-04

CBS-05 Fits DMX-05

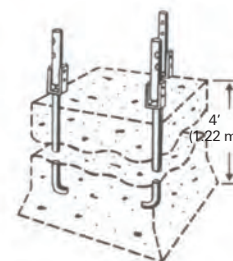
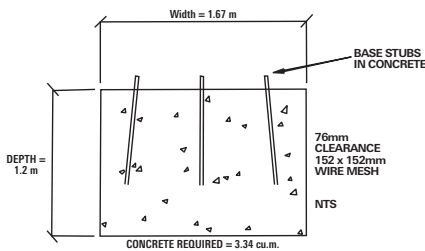
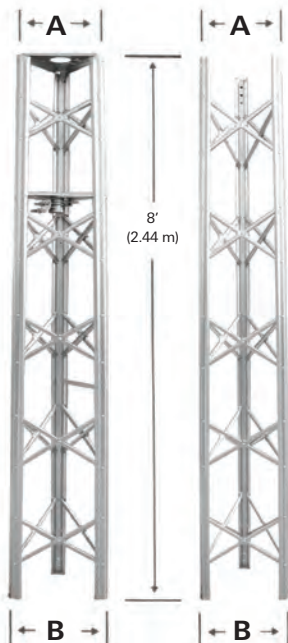
CBS-06 Fits DMX-06

CBS-07 Fits DMX-07

CBS-08 Fits DMX-08

	A	B
DMX-01T	10 5/16" (26.19 cm)	12 11/16" (32.23 cm)
DMX-02	12 7/8" (32.70 cm)	14 7/8" (37.78 cm)
DMX-02S	15" (38.10 cm)	14 7/8" (37.78 cm)
DMX-02T	12 7/8" (32.70 cm)	14 7/8" (37.78 cm)
DMX-03	15 1/8" (38.42 cm)	16 15/16" (43.02 cm)
DMX-03T	15 1/8" (38.42 cm)	16 15/16" (43.02 cm)
DMX-04	17 3/8" (44.13 cm)	19 1/4" (48.90 cm)
DMX-04T	17 3/8" (44.13 cm)	19 1/4" (48.90 cm)
DMX-04S	19 11/16" (50.01 cm)	19 1/4" (48.90 cm)
DMX-05	19 1/2" (49.53 cm)	21 5/8" (54.93 cm)
DMX-05S	22 3/16" (56.36 cm)	21 15/16" (55.22 cm)
DMX-06	22" (55.88 cm)	24 3/16" (61.44 cm)
DMX-07	24 1/4" (62.87 cm)	26 11/16" (67.79 cm)
DMX-08	27 1/16" (68.74 cm)	29 1/4" (74.30 cm)

**** Climb shields and hardware kits are also available**



CBS-03 **CBS-06**
CBS-04 **CBS-07**
CBS-05 **CBS-08**

HUB 3-6
HUB 7-6

WADE ANTENNA'S ONGOING POLICY OF CONTINUING DEVELOPMENT MAY RESULT IN SPECIFICATION CHANGES TO ITS PRODUCTS

CAUTION NOTICE

Please read carefully

Our published installation guidelines are for standard towers and mounting devices as specified. These guidelines are based on assumed soil conditions (190 KPA or 4000 PSF) that may or may not exist in your area and on the assumption that no damage has occurred, or modifications are made to the tower or mounting device.

A qualified structural engineer should be consulted prior to installing any tower or supporting structure.



WARNING!

Survey your installation site **NOW** to prevent your antenna or support from coming in contact with overhead powerlines. Caution should be used when climbing towers and support structures.

FAILURE TO EXERCISE CAUTION MAY RESULT IN SERIOUS INJURY OR DEATH.